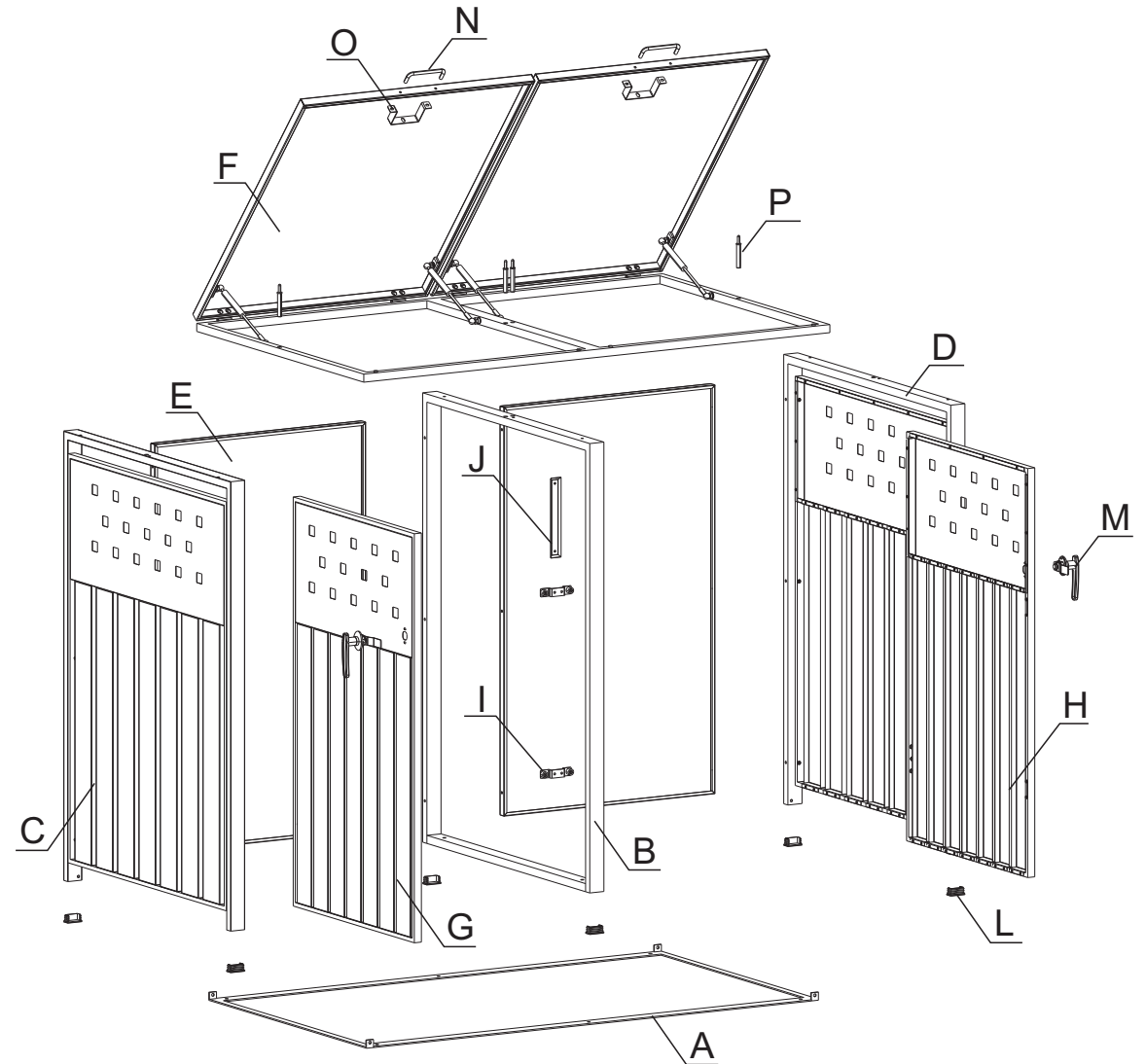
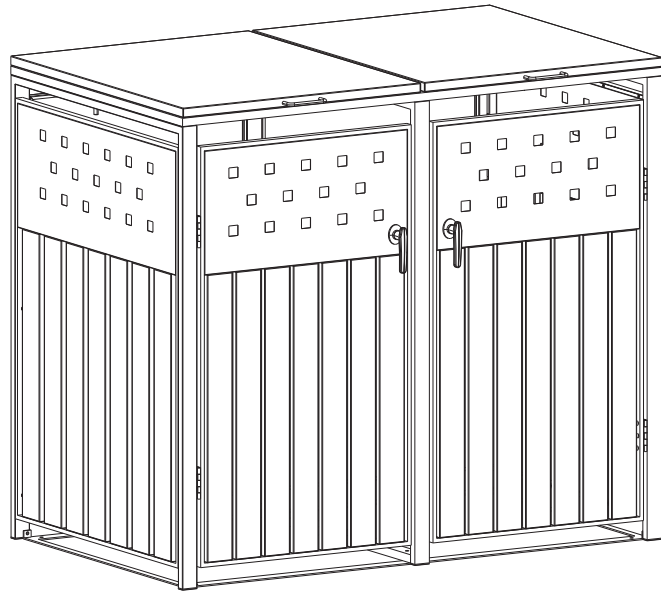
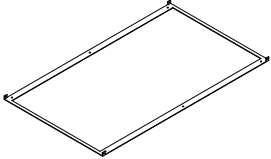
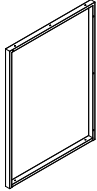
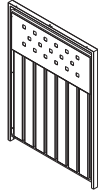

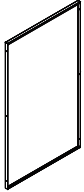
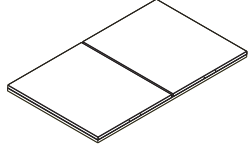
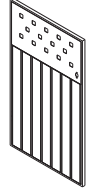

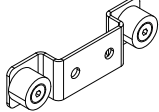
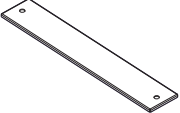
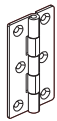
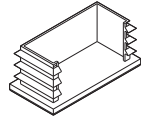


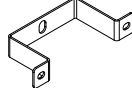

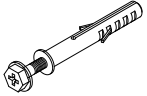

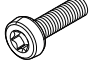
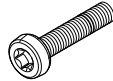
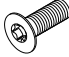


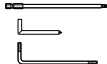




Idaho

1417_126679



1417_126679

| | | | | | | | | | | | |
|------|---|-------------------------|-----|-----|---|--------------|-----|------|---|-------------|-----|
| Ax1 |  | 1280x757x20 | 2/2 | Bx1 |  | 1114x800x40 | 1/2 | Cx1 |  | 1114x800x40 | 1/2 |
| Dx1 |  | 1114x800x40 | 1/2 | Ex1 |  | 1014x598x20 | 1/2 | Fx1 |  | 1320x800x45 | 2/2 |
| | | | | Ex1 | | | 2/2 | | | | |
| Gx1 |  | 1014x580x23 | 2/2 | Hx1 |  | 1014x580x23 | 1/2 | Ix2 |  | 88.6x20x16 | 2/2 |
| Jx1 |  | 200x35x3 | 2/2 | Kx4 |  | 75x40x8 | 2/2 | Lx6 |  | 40x20x14 | 2/2 |
| Mx2 |  | 120x70x40 | 2/2 | Nx2 |  | φ 8x108x32 | 2/2 | Ox2 |  | 117x50x20 | 2/2 |
| Px4 |  | φ 10x70 | 2/2 | Qx6 |  | M6x60mm | 2/2 | Rx16 |  | M4x10mm | 2/2 |
| Sx10 |  | M4x20mm | 2/2 | Tx9 |  | M4x30mm | 2/2 | Ux30 |  | M4x14mm | 2/2 |
| Vx2 |  | φ 2.5x1300 55x22x2.5 | 2/2 | Wx1 |  | 40x15x15 | 2/2 | Xx1 |  | | 2/2 |
| Yx4 |  | M4 | 2/2 | Zx4 |  | φ 8x φ 14x10 | 2/2 | | | | |

FR : SAV/INFORMATION /VIDEO/CONTACT

EN: AFTER-SALES SERVICE/INFORMATION/VIDEO/CONTACT

DE : REPARATUR-SERVICE UND ERSATZTEILE /INFORMATIONEN /VIDEO/KONTAKT

ES: SERVICIO POST-VENTA/INFORMACIÓN/VIDEO/CONTACTO

IT: SERVIZIO ASSISTENZA/INFORMAZIONI/VIDEO/CONTATTO

PT: SERVIÇO PÓS-VENDA/INFORMAÇÕES/VIDEO/CONTATO

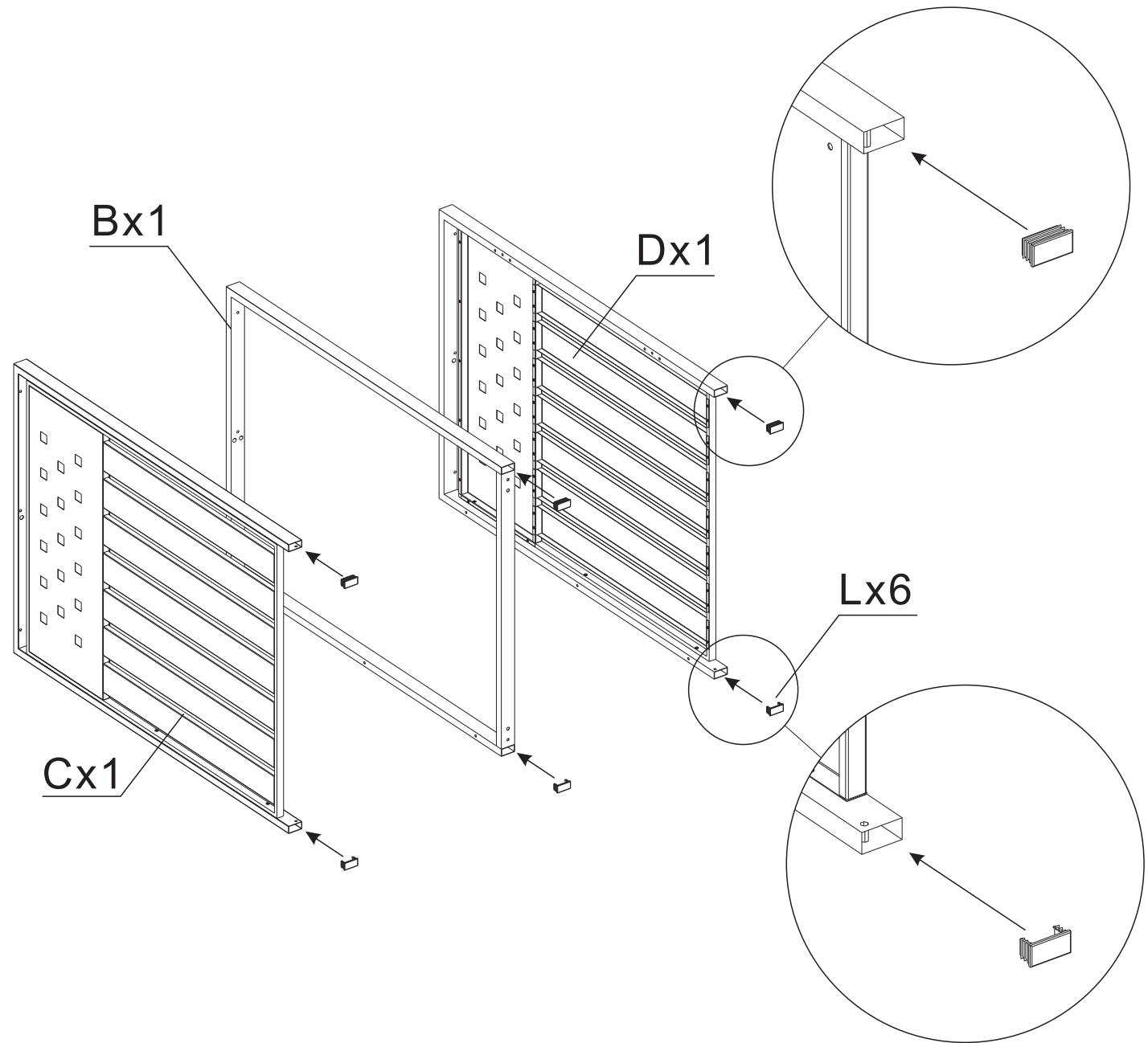
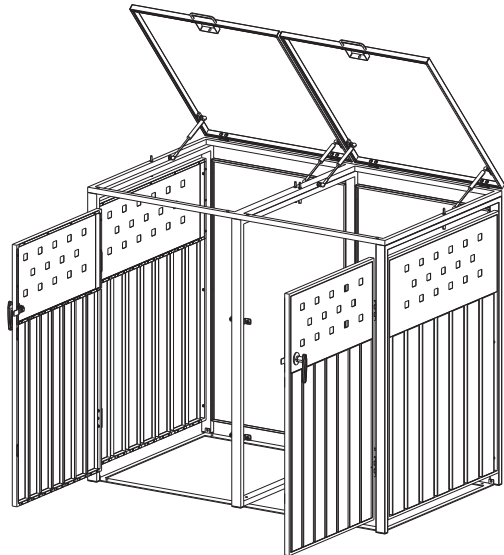
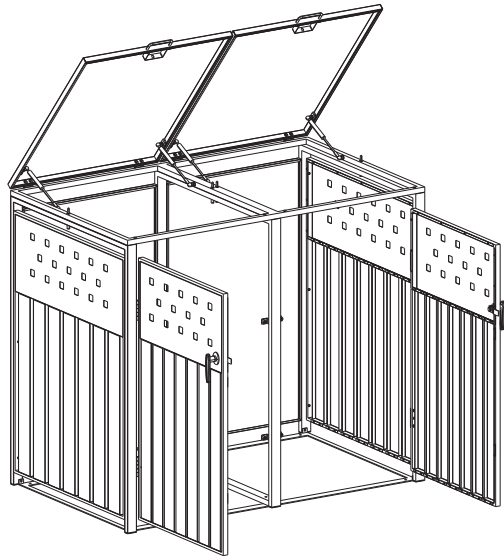
PL: SERWIS TECHNICZNY/INFORMACJE/WIDEO/KONTAKT

NE: AFTER SALES SERVICE/INFORMATIE/VIDEO/CONTACT

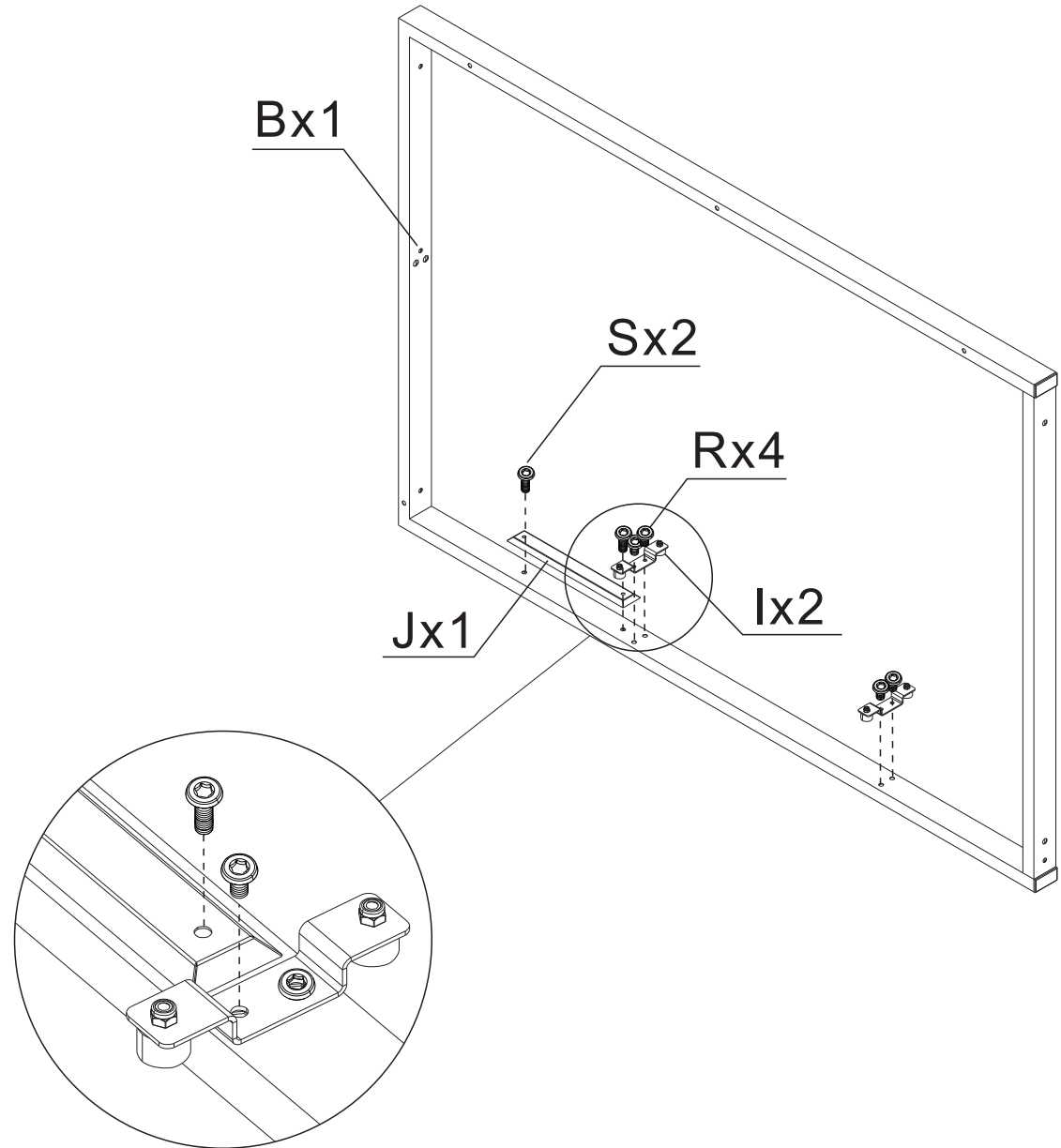
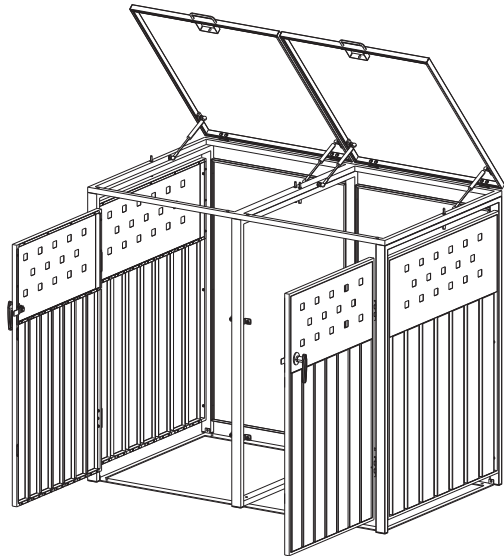
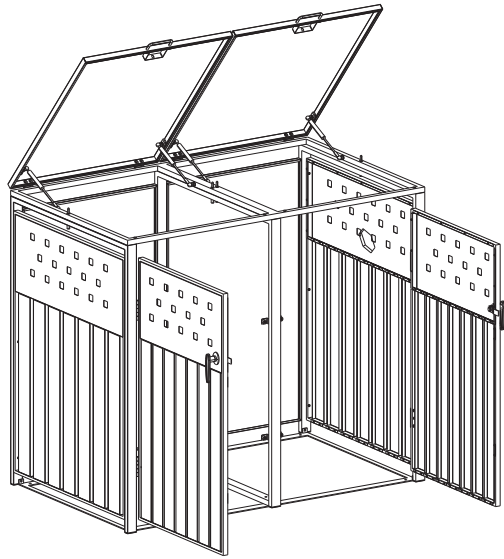
HE: רשקתל /ואדיווה/עדימ /תורכמו תוריש רחאל

SAV.HABITATETJARDIN.COM

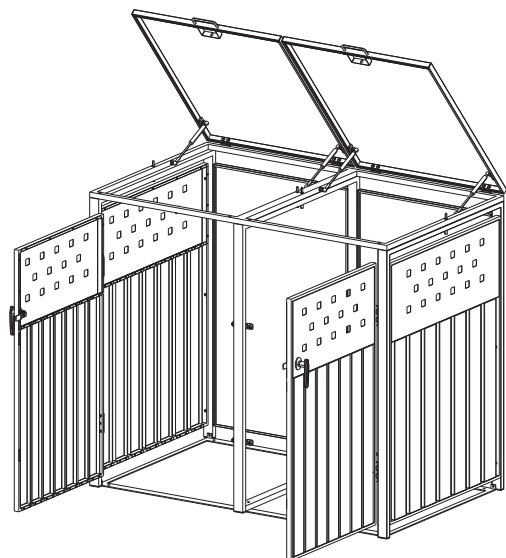
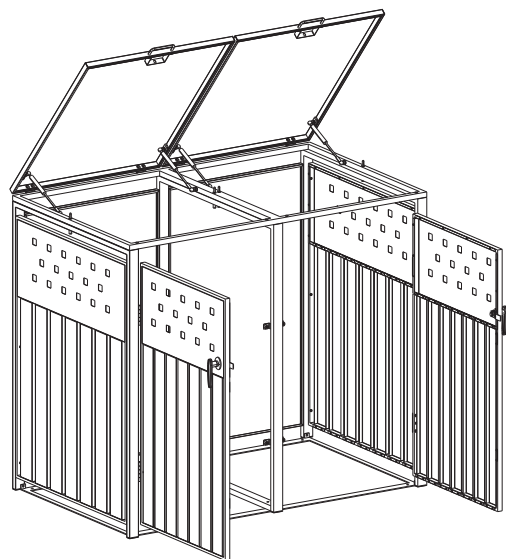
STEP 1



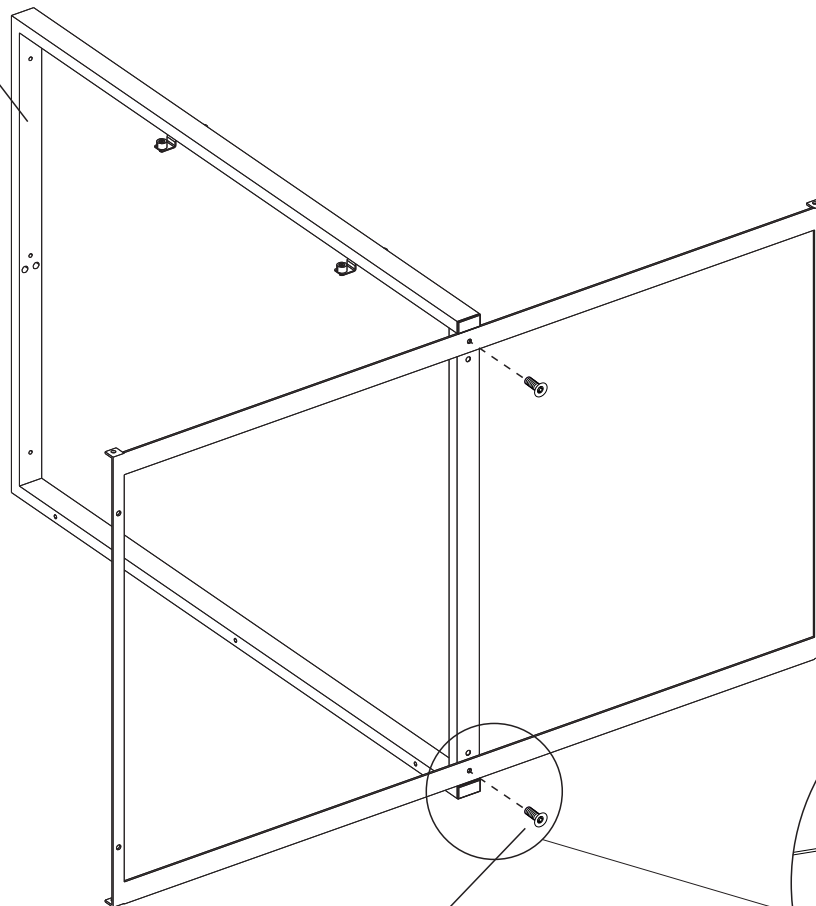
STEP 2



STEP 3

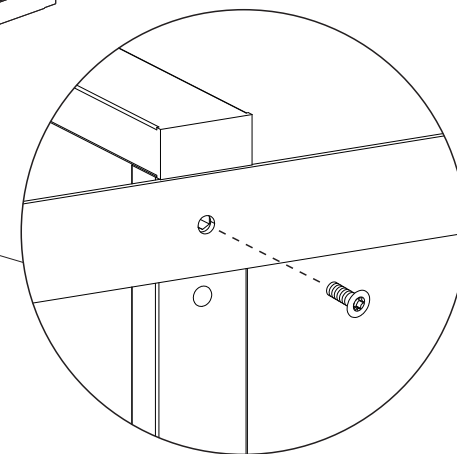


Bx1

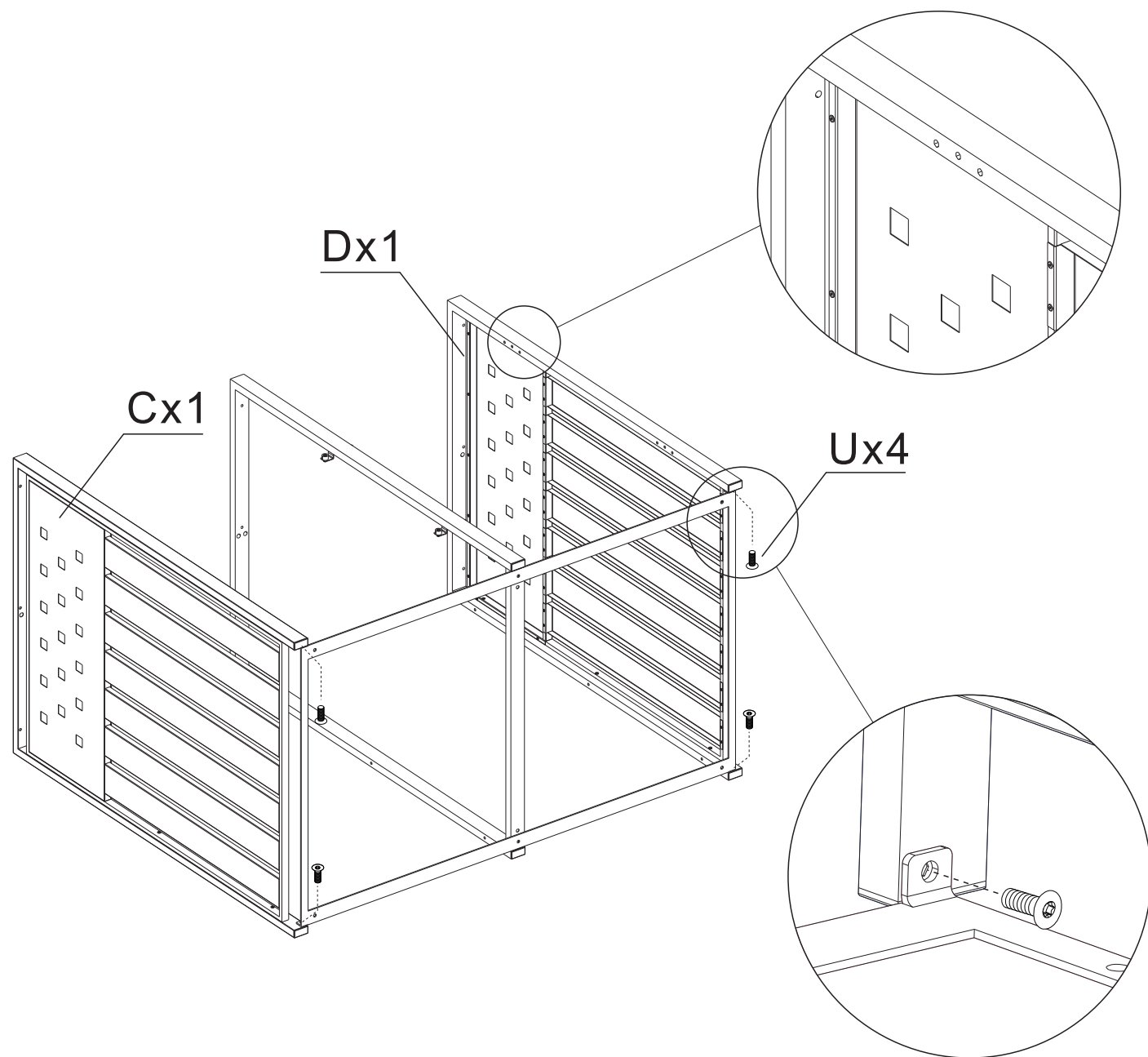
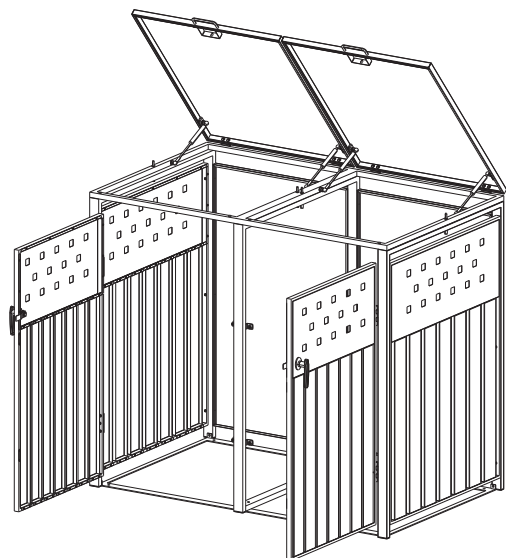
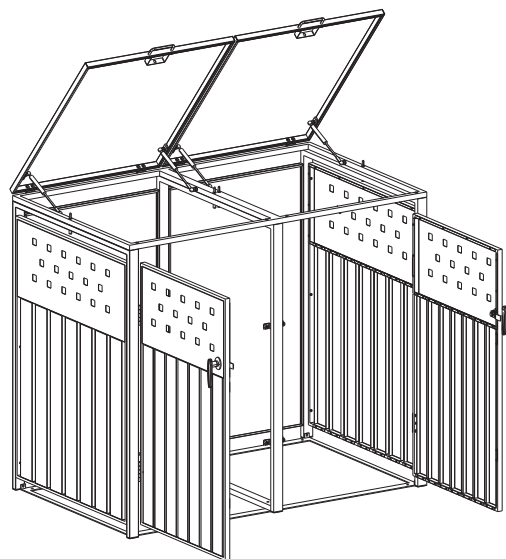


Ax1

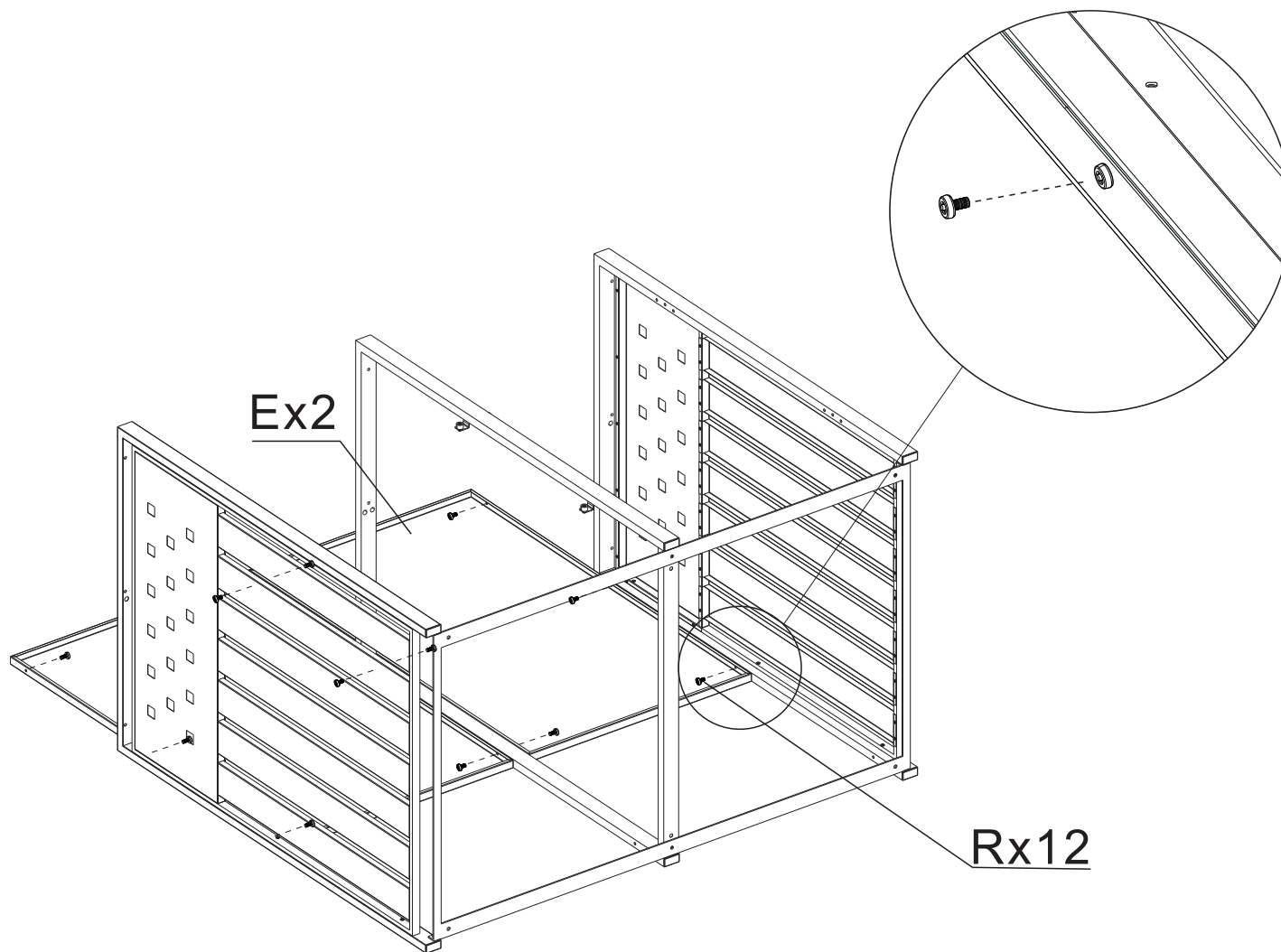
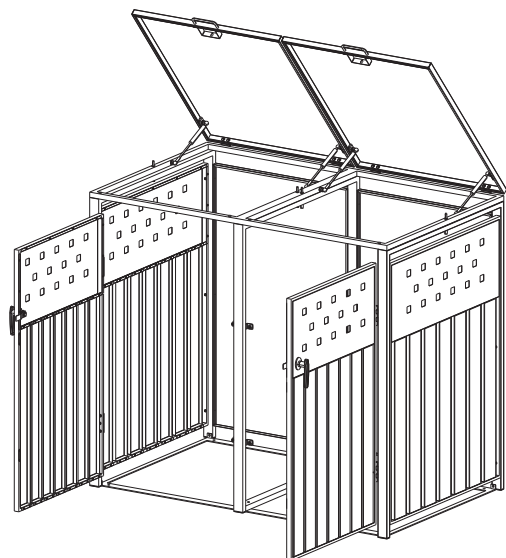
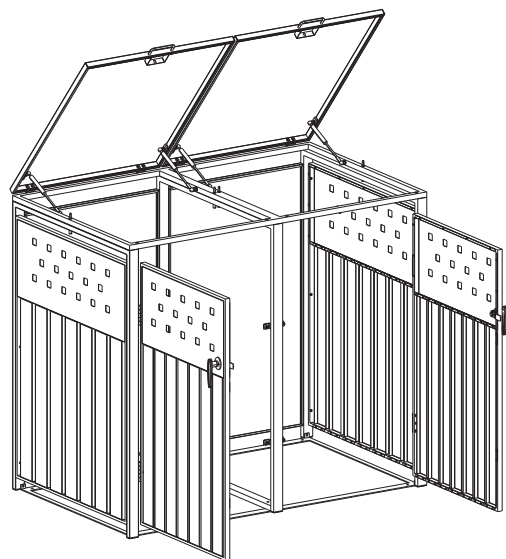
Ux2



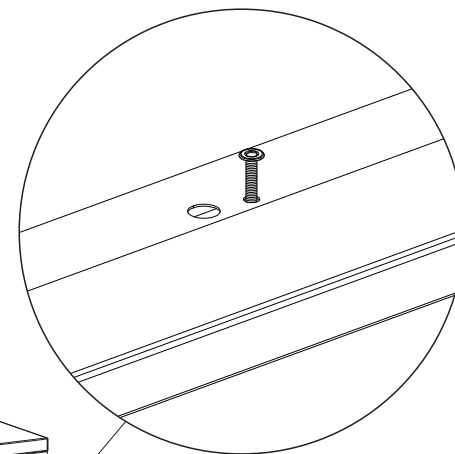
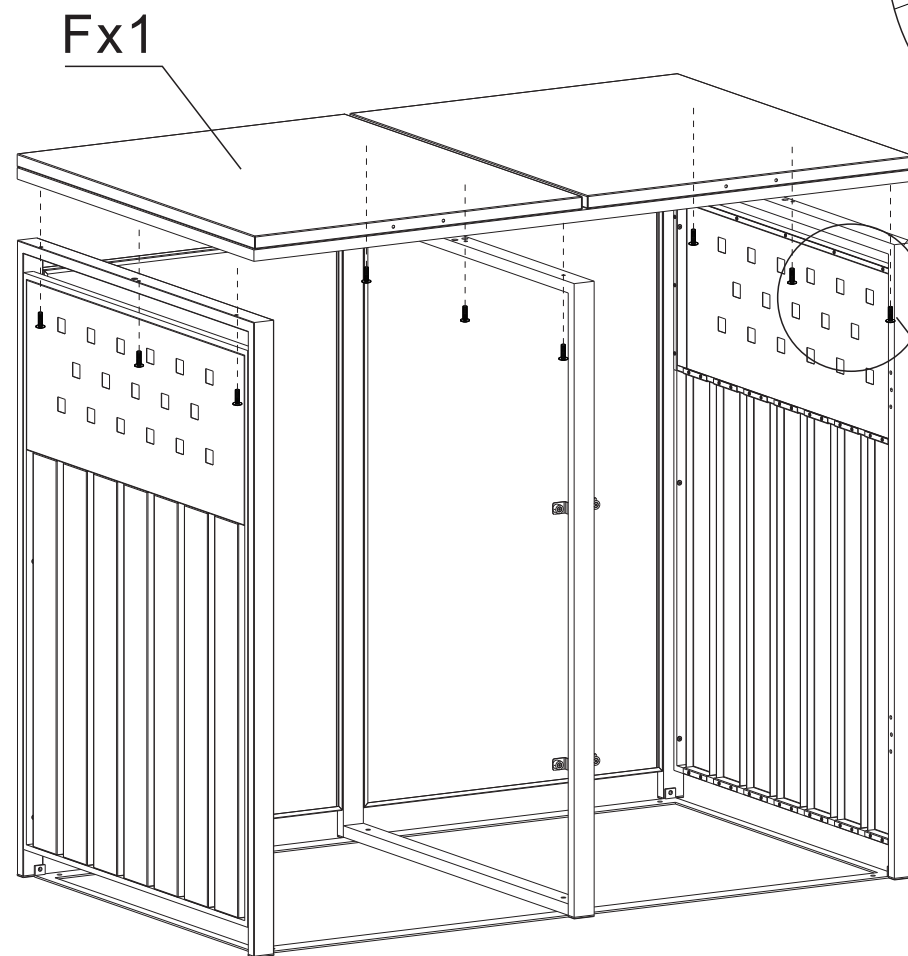
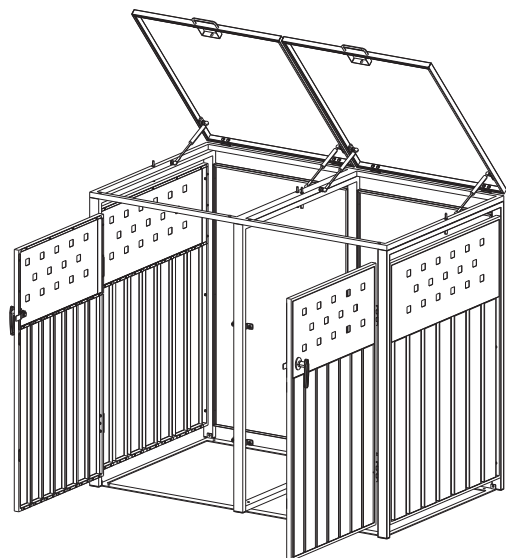
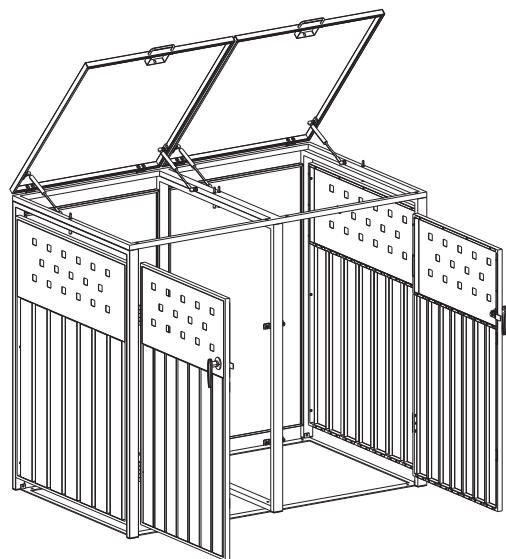
STEP 4



STEP 5

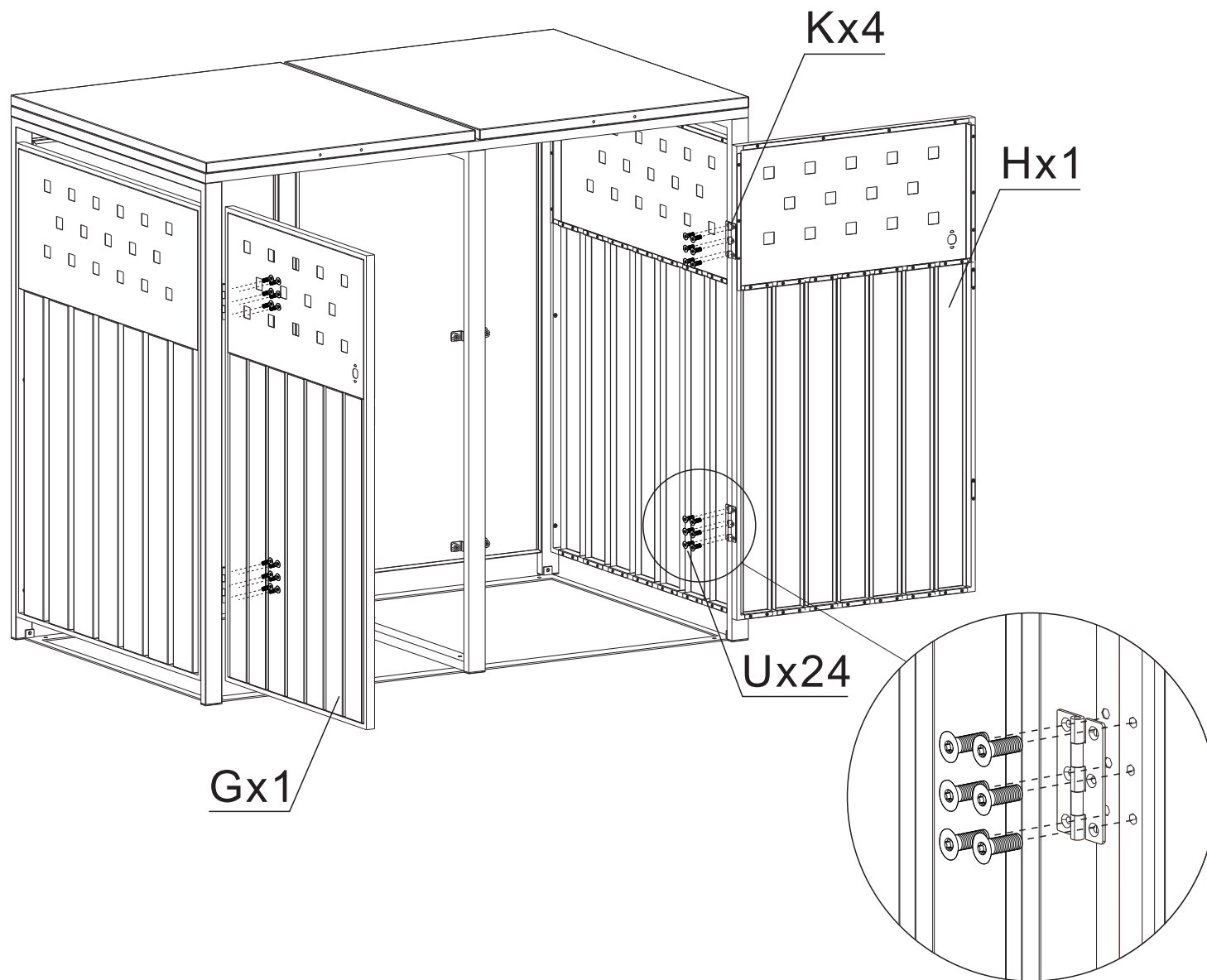
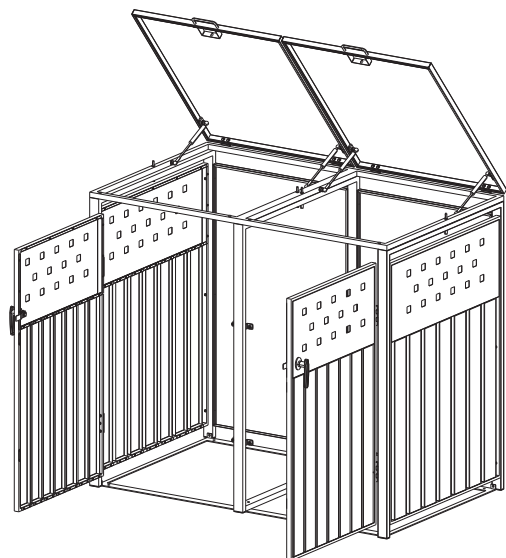
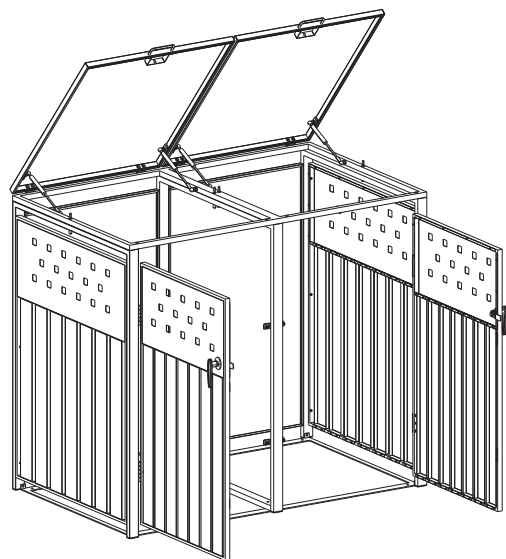


STEP 6

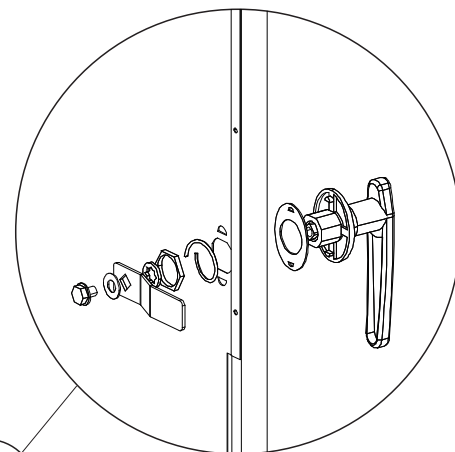
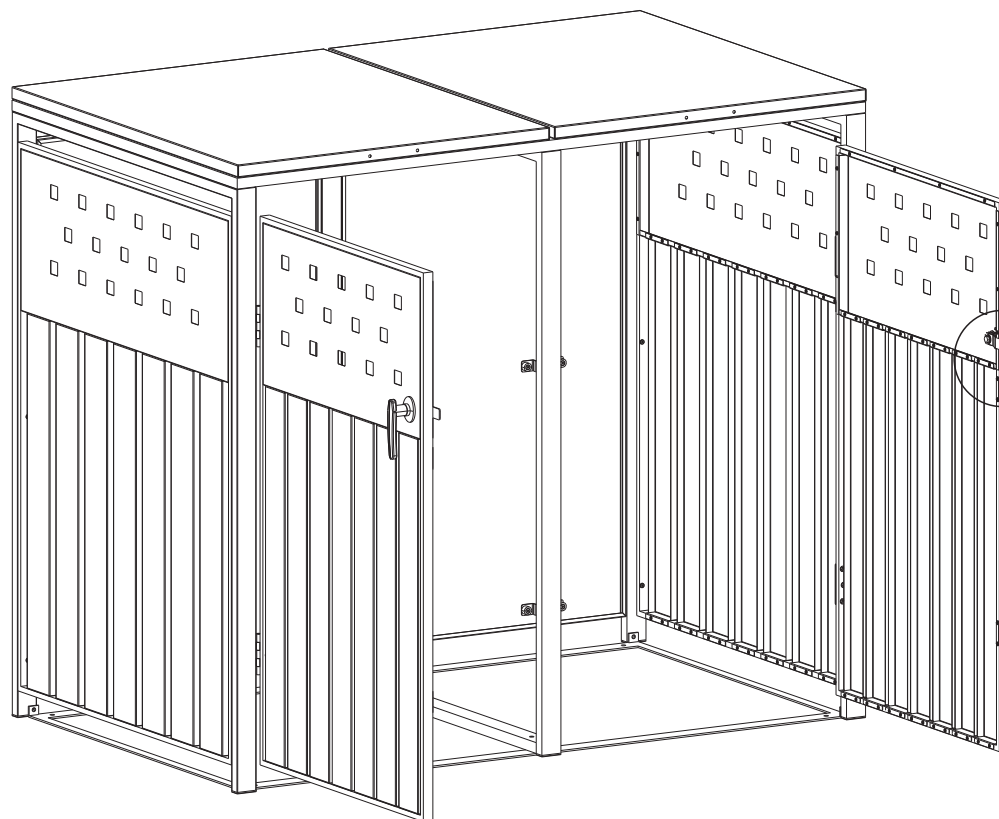
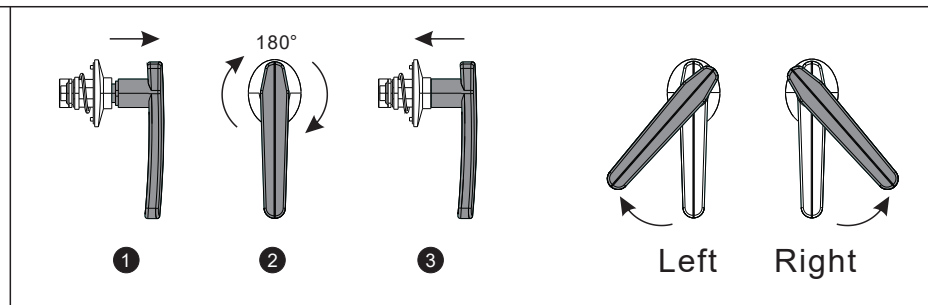
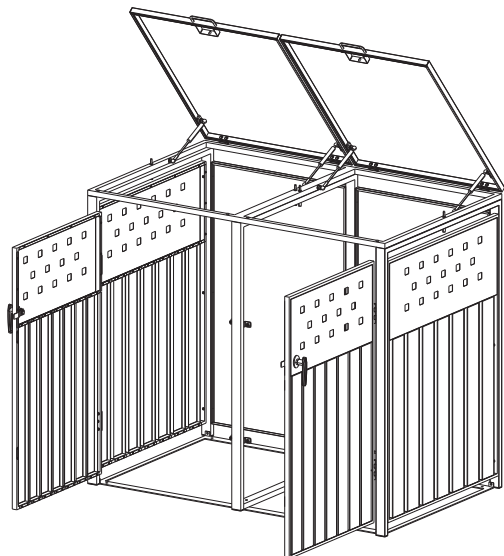
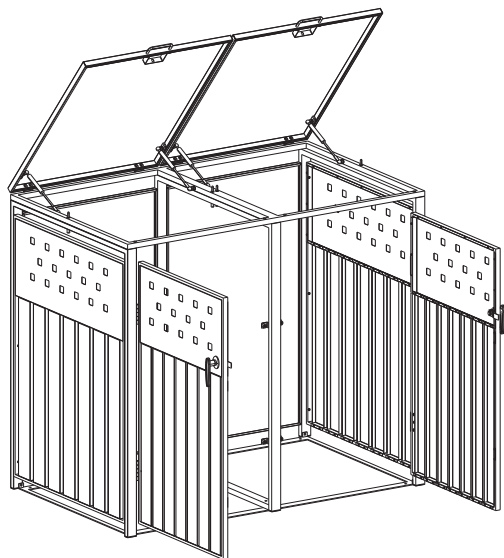


Tx9

STEP 7

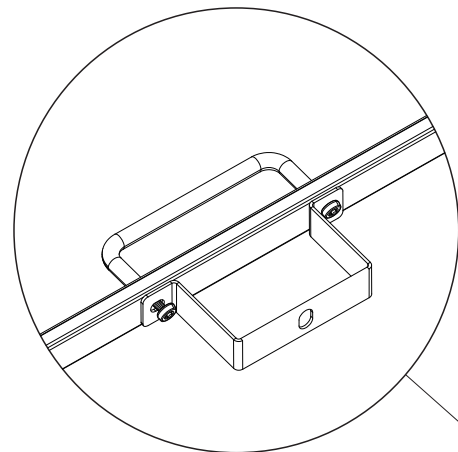
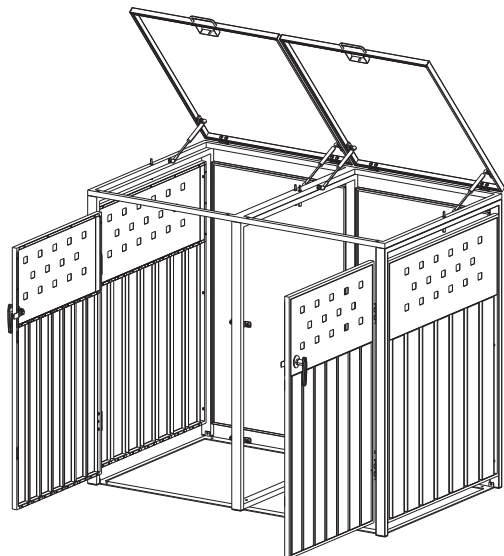
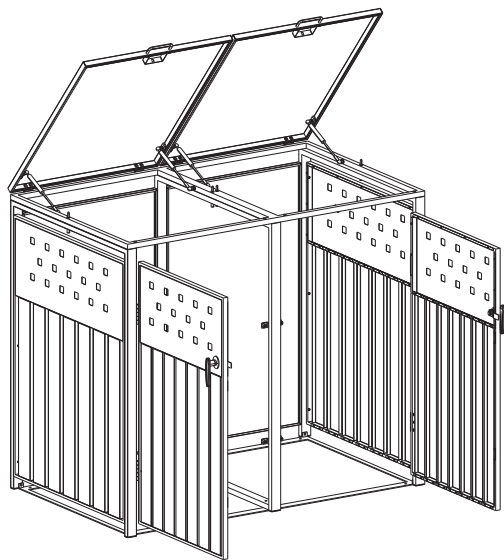


STEP 8

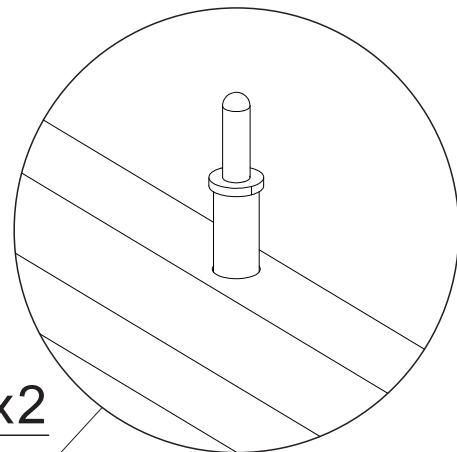


Mx2

STEP 9



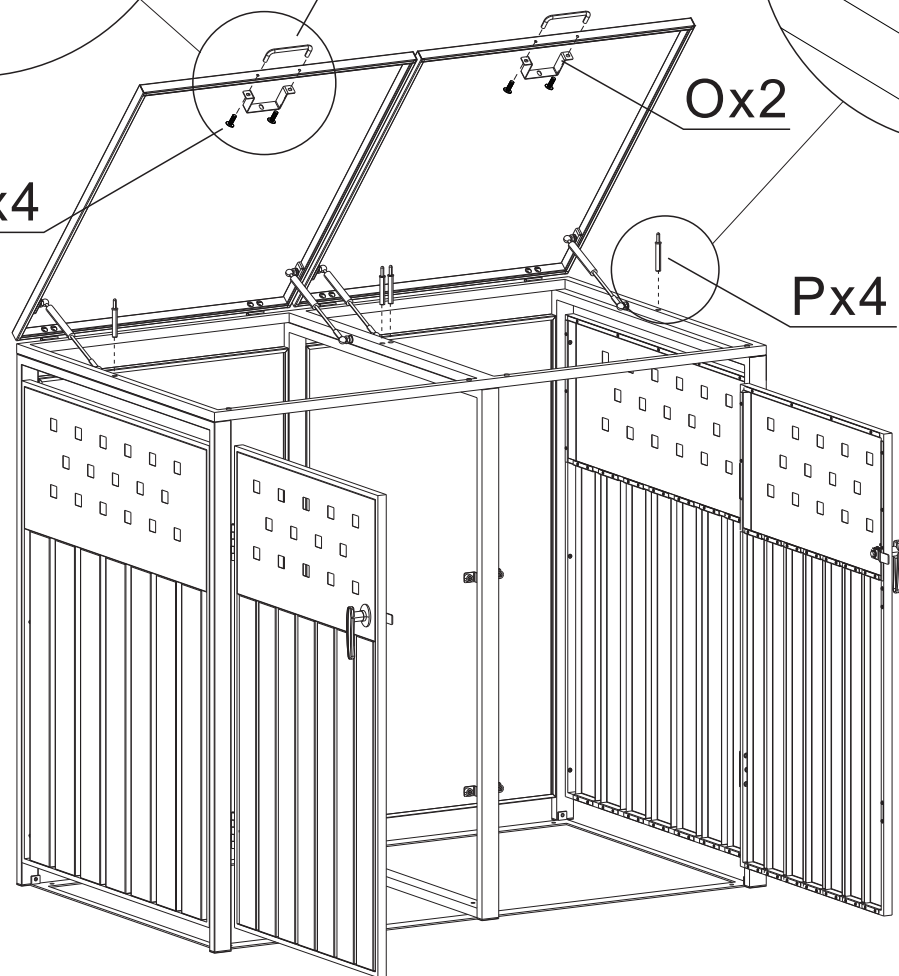
Nx2



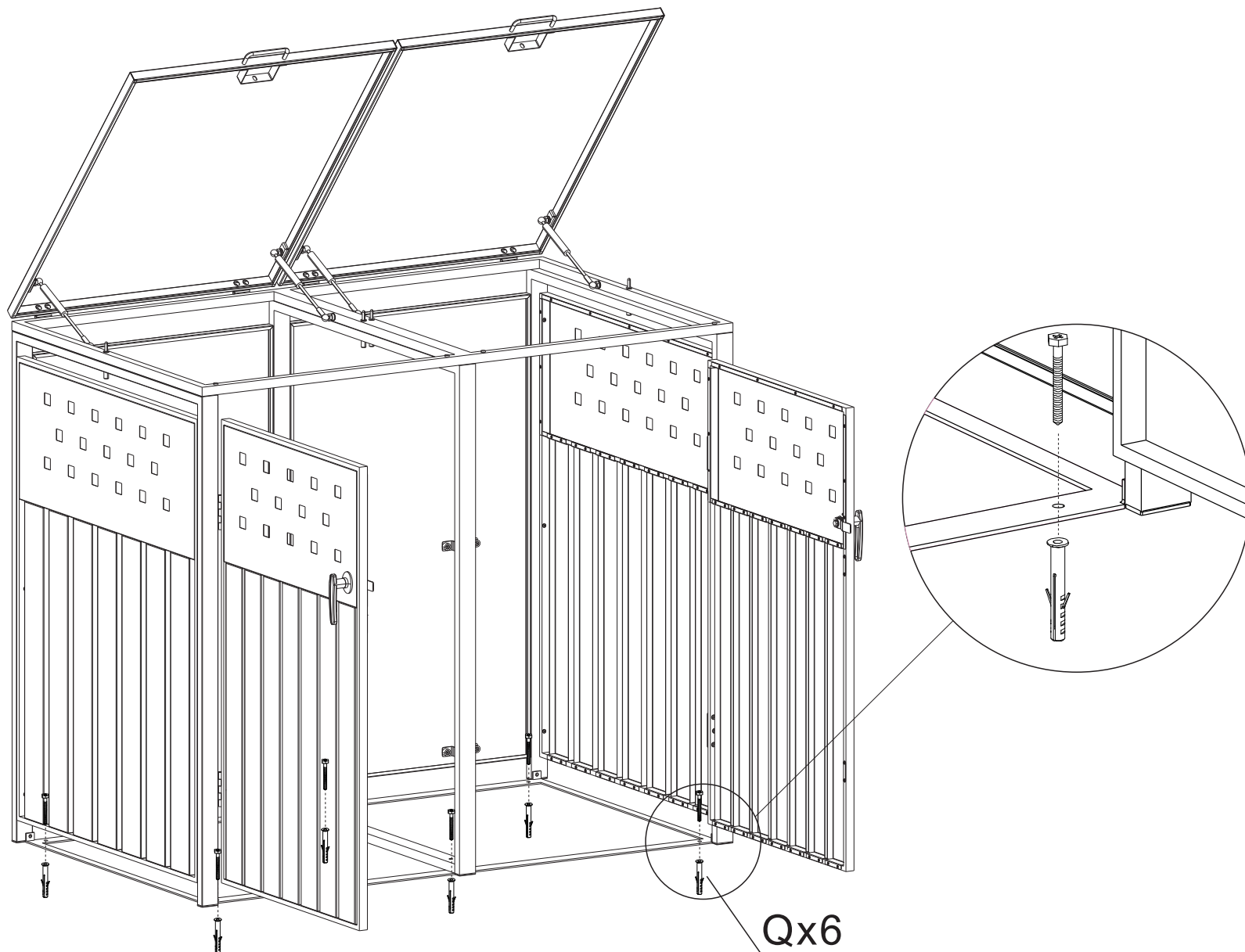
Ox2

Sx4

Px4



STEP 10



STEP 11

